

ADV - VC - 7  
                   1                  2

**1 Materials of Construction**

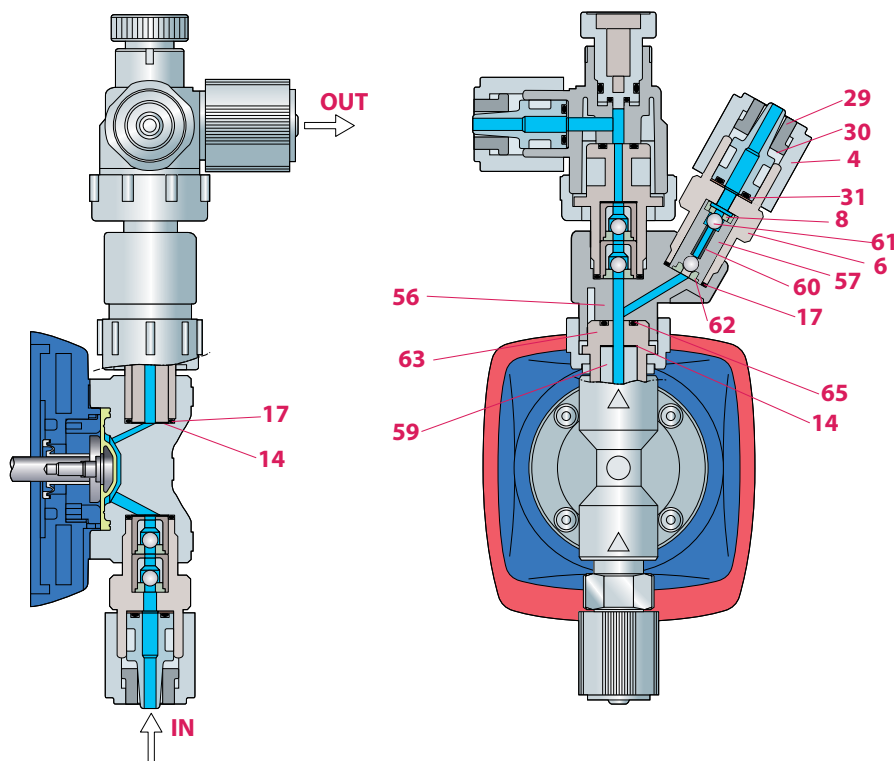
VC = PVC Housing, FKM Seats and Seals, Titanium Separation Pin  
 VE = PVC Housing, EPDM Seats and Seals, Hastelloy C276 Separation Pin  
 VCH = PVC Housing, FKM Seats and Seals, Hastelloy C276 Separation Pin

**2 Connection**

7 = 3/8" OD x 1/4" ID

**Installation:**

1. Remove the entire discharge assembly of the pump (MAVV, Lock nut, Valve Housing, Valve Guides, Seats and Seals) from the pump head.
2. Install the new Lock Nut (64), Valve housing (63), Spacer (59), two Gaskets (14) and O-ring (17) of the ADV into the pump head.
3. Use the Lock Nut to secure the Auto Degassing Valve Body onto the Valve Housing with P7 O-ring (65) in between.
4. The entire discharge assembly from the pump is then reinstalled on top of the ADV.
5. Reconnect tubing and add tubing to the ADV back to the supply tank.



| #  | Part Name             | VC              | VE             |
|----|-----------------------|-----------------|----------------|
| 4  | Coupling Nut          |                 | PVC            |
| 14 | Valve Gasket          |                 | PTFE           |
| 17 | O-Ring, S14           | FKM             | EPDM           |
| 29 | Tubing, Clamp         |                 | PPS            |
| 30 | Tubing, Adapter       |                 | PVC            |
| 31 | O-Ring, P9            | FKM             | EPDM           |
| 56 | Body, ADV             |                 | PVC            |
| 57 | Guide, Separation ADV |                 | PVC            |
| 58 | Top Disc, Guide       |                 | PVC            |
| 59 | Spacer                |                 | PVC            |
| 60 | Separation Pin        | Titanium        | Hastelloy C276 |
| 61 | Valve Ball            | Alumina Ceramic |                |
| 62 | Valve Seat            | FKM             | EPDM           |
| 63 | Valve Housing         |                 | PVC            |
| 65 | O-Ring, P7            | FKM             | EPDM           |
| 66 | Valve Housing, ADV    |                 | PVC            |

See Exploded views on [www.walchem.com](http://www.walchem.com) for part numbers