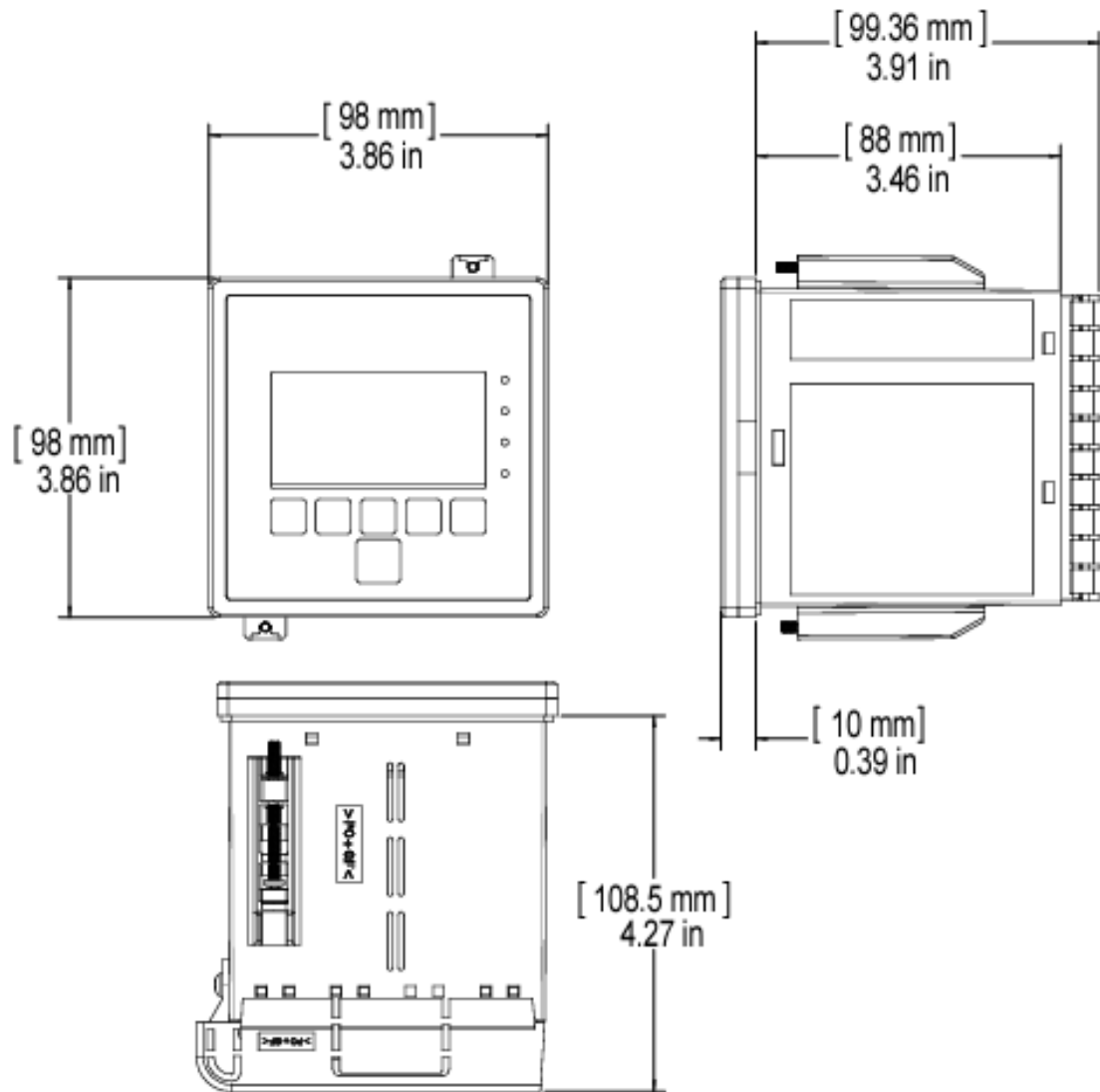
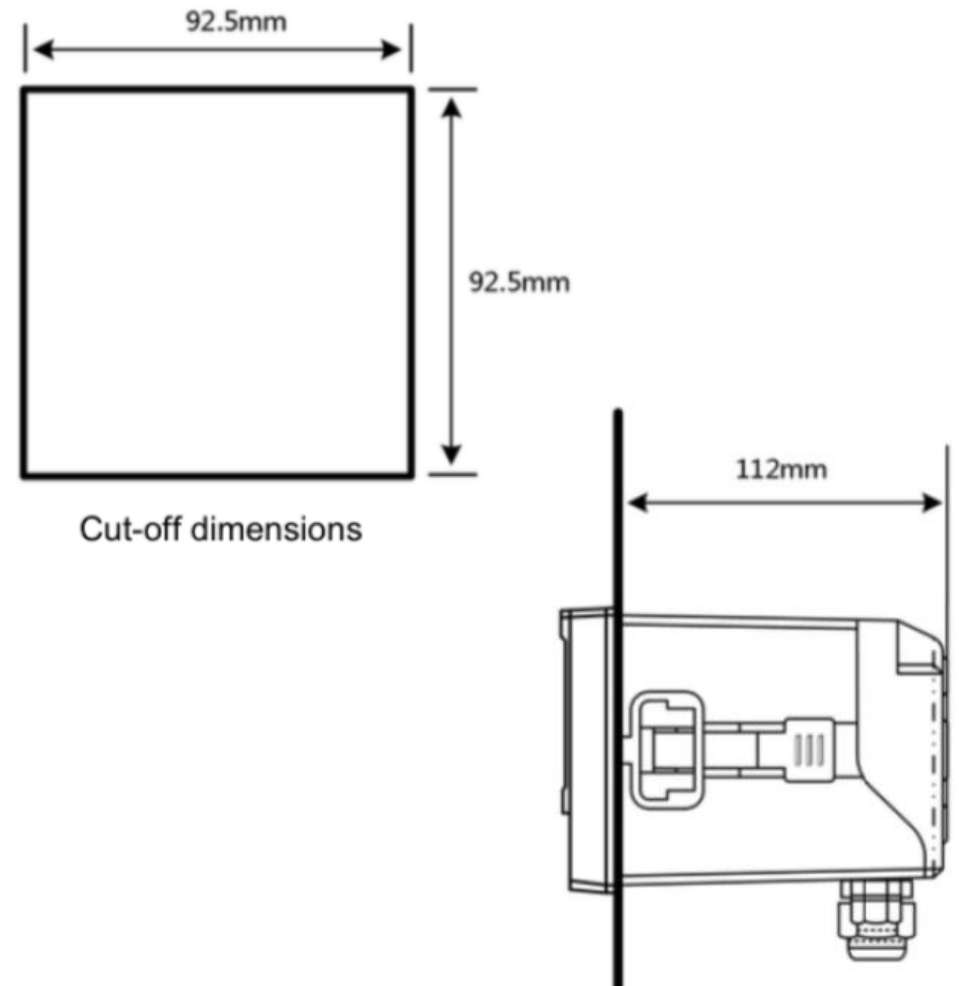


AP110 Dimensions



AP310 Dimensions



AP110 Panel Cut Out

After wiring, the rear cover may be installed.

Maximum panel thickness: 0.45" \pm 0.02" (11.43mm \pm 0.50mm)

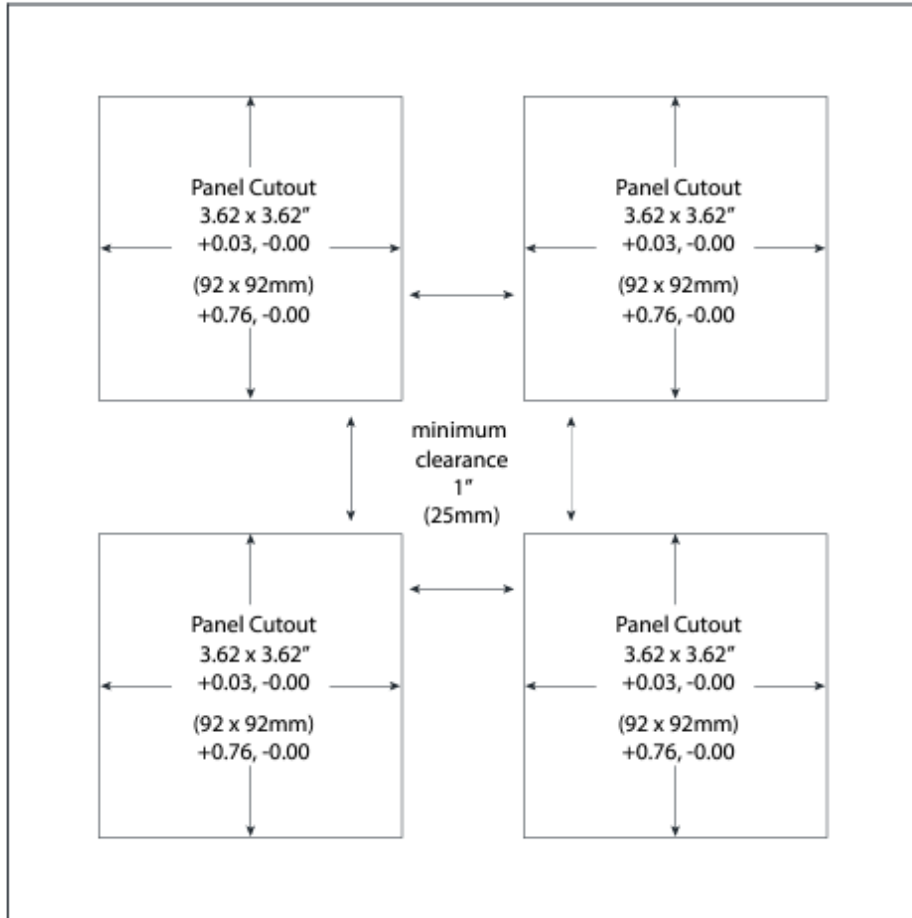
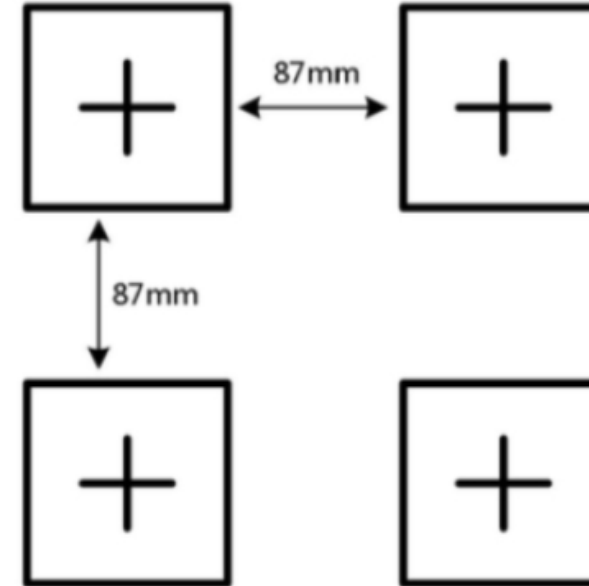


Figure 2 Panel Cutout Dimensions

AP310 Panel Cut Out



Control box cut-off dimensions