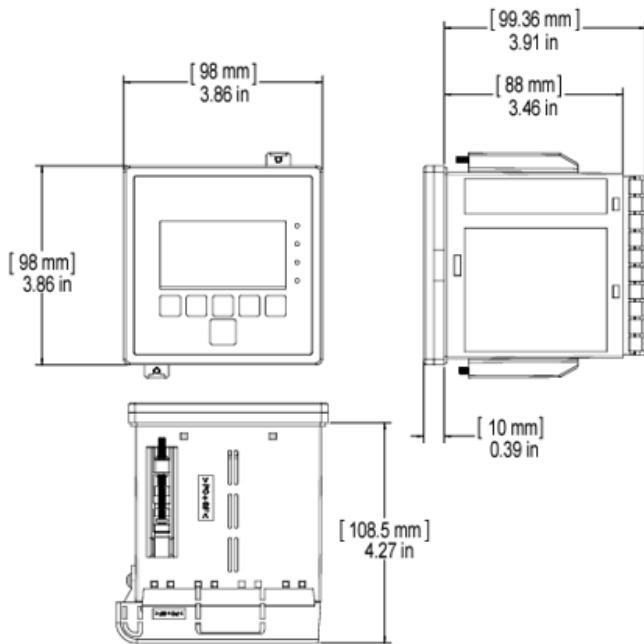


PULSE INSTRUMENTS

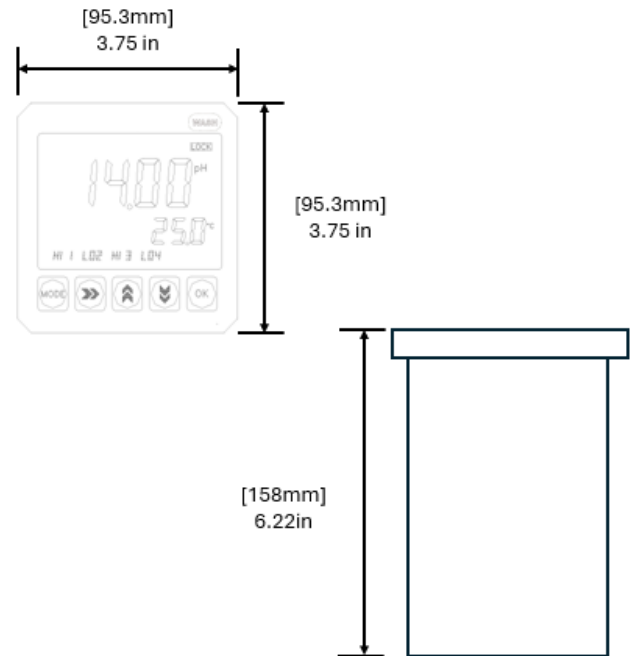
2333 Mission Oaks Blvd., Unit P Camarillo, CA 93012 Phone: (800) 462-1926 Fax: (800) 878-9172

AP110 to AP210 Conversion

AP110 Dimensions



AP210 Dimensions



AP110 Panel Cut Out

AP210 Panel Cut Out

After wiring, the rear cover may be installed.

Maximum panel thickness: 0.45" ± 0.02" (11.43mm ± 0.50mm)

