

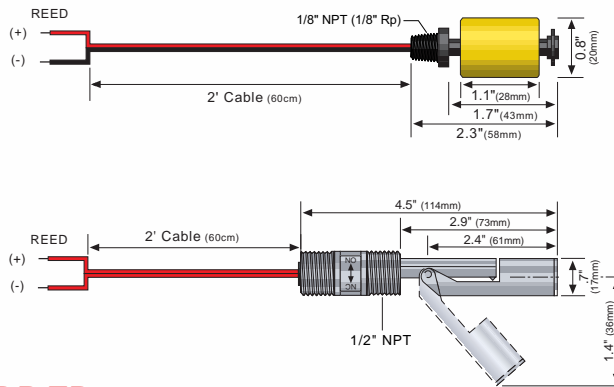
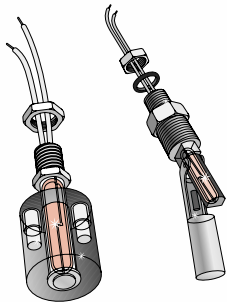


SPECIFICATIONS

Orientation:	LV20: ± 20° vertical LH2_: ± 20° horizontal
Accuracy:	± 5 mm in water
Repeatability:	± 2 mm in water
Specific gravity:	0.8 minimum
Contact type:	(1) SPST reed
Contact rating:	15 VA
Contact output:	Selectable NO/NC
Process temp.:	F: -40° to 176° C: -40° to 80°
Pressure:	10 psi (0.7 bar) @ 25° C., derated @ 1.667 psi (.113 bar) per °C. above 25° C.
Sensor material:	LV20-12_1: PP LV20-52_1: PVDF LH2_-1201: PP
Wire type:	2-conductor, #22 AWG
Wire length:	Standard: 2' (60 cm) Special order: 25' (7.6m) or 50' (15.2m)
Wire jacket mat.:	LV20-12_1: PVC LV20-52_1: TFE LH2_-1201: Polymeric
Process mount:	LV20: 1/8" NPT LH21: 1/2" NPT LH22: Compression
Mount. gasket:	Viton® (LH22 only)
Classification:	General purpose
CE compliance:	EN 61326 EMC EN 61010-1 safety

APPLICATION

Offered in both vertical and horizontal float configurations, the general purpose mini-float level switches are a great choice for less critical applications with clean water and/or chemical solutions. Media examples include water and acetic acid. The dry contact closure provides a reliable switch interface with remote devices such as a PLC, SCADA or alarm.



Mini-Float

ORDER

Vertical

- Sensor material (1)**
- 1 PP
 - 5 PVDF
- Process mount**
- 0 1/8" NPT (US)
 - 5 1/8" Rp (Metric)

LV20- 2 1

Horizontal

- Installation type (2)**
- 3 Outside-in / Inside-out

LH2 -1201

Ordering Notes

1) To special order a 25' (7.6m) or 50' (15.2 m) sensor cable, place the cable length at the end of the part number (ie: LV20-1201-25').