

## APPLICATION

The general purpose buoyancy level switch is a perfect choice for relatively clean water and chemical solutions with non-coating and/or scaling characteristics. Media examples include acetic acid and process water. The baffle body eliminates switch chatter caused by turbulence. The dry contact closure provides a reliable switch interface with remote devices such as a PLC, SCADA or alarm. The sensor mounts vertically inside the tank on our Smart Trak or Switch-Pak fittings.

## FEATURES

- ✓ Baffle body and dynamically stabilized float eliminate turbulence switch chatter
- ✓ PP or PVDF sensor and cable rated NEMA 6 or IP68
- ✓ 15 VA dry contact with selectable NO or NC state via wire selection
- ✓ Compatible with Flowline controller, alarm and fitting accessories

## TECH TIP



For years of reliable service in highly corrosive media, select the PVDF material option. The rugged sensor features a PVDF body with a PFA cable. It's level made simple!

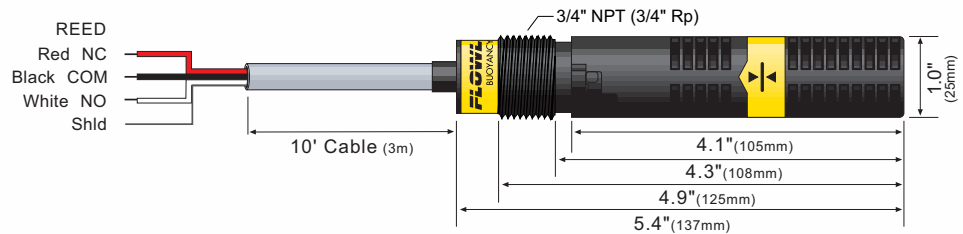
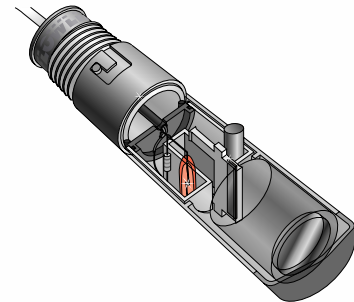
LV10-5301  
Shown



LV10-1301  
Shown

## SPECIFICATIONS

Orientation:	± 20° vertical
Accuracy:	± 2 mm in water
Repeatability:	± 1 mm in water
Specific gravity:	0.8 minimum
Contact type:	(1) SPDT reed
Contact rating:	15 VA
Process temp.:	F: -40° to 176° C: -40° to 80°
Pressure:	25 psi (2 bar) @ 25° C., derated @ 1.667 psi (.113 bar) per °C. above 25° C.
Sensor rating:	NEMA 6 (IP68)
Sensor material:	13_1: PP 53_1: PVDF
Cable jacket mat.:	13_1: PP 53_1: PFA
Cable type:	3-conductor, #22 AWG (shielded)
Cable length:	Standard: 10' (3m) Special order: 25' (7.6m) or 50' (15.2m)
Process mount:	3/4" NPT (3/4" Rp)
Classification:	General purpose
CE compliance:	EN 61326 EMC EN 61010-1 safety



## Buoyancy

## ORDER

LV10-31

Sensor material (1)

- 1 PP
- 5 PVDF

Process mount

- 0 3/4" NPT (US)
- 5 3/4" Rp (Metric)

### Ordering Notes

- 1) To special order a 25' (7.6m) or 50' (15.2 m) sensor cable, place the cable length at the end of the part number (ie: LV10-1301-25').