



LU11/13  
Shown



LU05  
Shown



LU\_-51\_1  
Shown

**SPECIFICATIONS**

<b>Range:</b>	LU05: 2" to 4" (5 cm to 1.2m) LU12: 4" to 9.8" (10 cm to 3m) LU11: 4" to 16.4" (10 cm to 5m) LU13: 8" to 26.2' (20 cm to 8m)
<b>Accuracy:</b>	LU05: 0.125" (3 mm) LU11/12/13: ± 0.2% of span in air
<b>Resolution:</b>	LU05/12: 0.019" (0.5 mm) LU11/13: 0.039" (1 mm)
<b>Beam width:</b>	LU05/12: 2" (5 cm) dia. LU11/13: 3" (7.6 cm) dia.
<b>Dead band:</b>	LU05: 2" (5 cm) LU11/12: 4" (10 cm) LU13: 8" (20 cm)
<b>LED indication:</b>	Power, calibration and diagnostics
<b>Memory:</b>	Non-volatile
<b>Supply voltage:</b>	12-28 VDC
<b>Loop resist.:</b>	500 Ohms @ 24 VDC
<b>Signal output:</b>	4-20 mA, two-wire
<b>Signal invert:</b>	4-20 mA or 20-4 mA
<b>Calibration:</b>	Target, calibration wire
<b>Fail-safety:</b>	Reverts to 22 mA
<b>Process temp.:</b>	F: -4° to 140° C: -20° to 60°
<b>Temp. comp.:</b>	Automatic
<b>Electronics temp.:</b>	F: -40° to 160° C: -40° to 71°
<b>Pressure:</b>	30 psi (2 bar) @ 25° C., derated @ 1.667 psi (.113 bar) per °C. above 25° C.
<b>Enclosure rating:</b>	50_1: NEMA 6 (IP67) 51_1: NEMA 4X (IP65)
<b>Encl. material:</b>	PC/ABS FR
<b>Trans. material:</b>	PVDF
<b>Cable jacket mat.:</b>	50_1: PP
<b>Cable type:</b>	50_1: 3-cond., shielded
<b>Cable length:</b>	50_1: 10' (3m)
<b>Conduit entrance:</b>	51_1: Dual, 1/2" NPT
<b>Process mount:</b>	LU05/12: 1" NPT (1" G) LU11/13: 2" NPT (2" G)
<b>Mount. gasket:</b>	Viton®
<b>Classification:</b>	General purpose
<b>CE compliance:</b>	EN 61326 EMC

**APPLICATION**

The general purpose two-wire ultrasonic transmitter provides non-contact level measurement up to 26' or 8m, and is well suited for challenging ultrapure, corrosive, slurry or waste liquids. The transmitter is broadly selected for atmospheric bulk storage, day tank, waste sump, process vessel, IBC tote, 55-gallon drum and waste sump applications. Media examples include acetic acid and resin.

**CALIBRATION**

The 4-20 span set points are easily calibrated with the Cal-wire, a DC power supply and flat reflective target. To configure the 4 mA set point, attach the Cal-wire to the return side of the power supply, hold the transmitter at the desired set point range and turn power on until the logo plate illuminates. It's level made simple!

**FEATURES**

- ✓ Simple compact sensor with target calibration and LED status indicator
- ✓ Offered in four measurement ranges up to 8m with 1" and 2" transducers
- ✓ 5 cm minimum beam width for applications with restricted space
- ✓ 5 cm miniature dead band optimizes the filling capacity of small vessels
- ✓ PC/ABS enclosure rated NEMA 6 or NEMA 4X with PVDF transducer
- ✓ Fail-safe intelligence with diagnostic feedback for easy troubleshooting



The optional battery powered LU96-1001 target calibrator puts field calibration in the palm of your hand.

LU96  
Shown



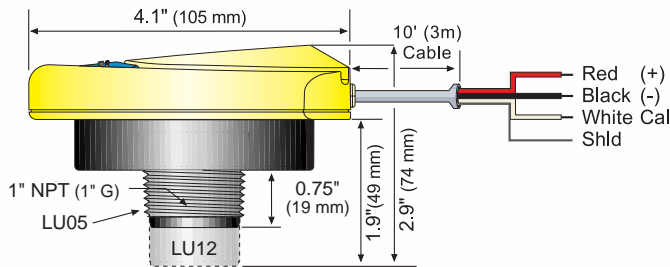
## DIAGNOSTICS

The transmitter features advanced self-test diagnostics that continuously sweep the applied performance of the product. In the event of low acoustic confidence, the analog signal will hold at 22 mA and the blue LED logo plate will turn on until such time that the level is acquired.

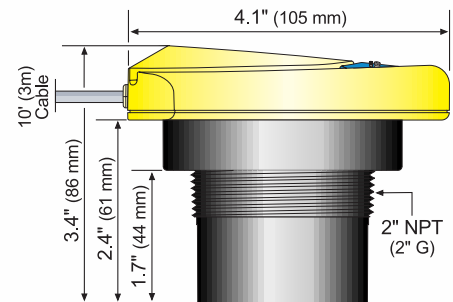


## DIMENSIONS

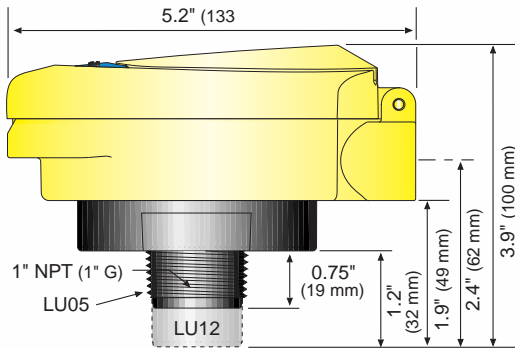
**LU05/12-5001 Side View**



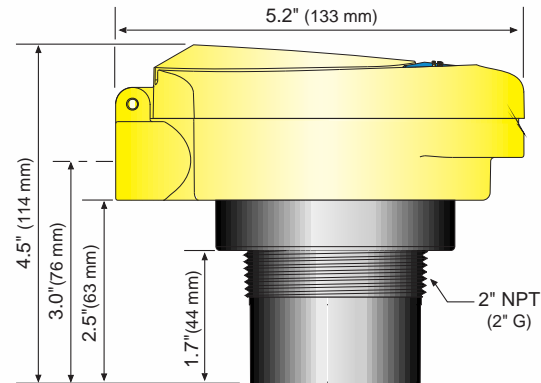
**LU11/13-5001 Side View**



**LU05/12-5101 Side View**



**LU11/13-5101 Side View**



**EchoSonic**

**ORDER**

LU   -5   1

**Sensor range / size (1)**

- 05 1.2m (4') / 1"
- 12 3m (9.8') / 1"
- 11 5m (16.4') / 2"
- 13 8m (26.2') / 2"

**Enclosure / termination (2) (3)**

- 0 NEMA 6 / cable
- 1 NEMA 4X / conduit

**Process mount**

- 0 NPT (US)
- 6 G (Metric)

**Ordering Notes**

- 1) For 18V battery powered target calibration with 4-20 mA span indication, order the LU96-1001 calibrator.
- 2) The NEMA 6 includes a standard 10' (3m) cable. To special order a 25' (7.6m) or 50' (15.2m) cable, place the cable length at the end of the part number (ie: LU12-5001-25).
- 3) The NEMA 4X enclosure has a flip-lid with dual conduit ports and a terminal strip.